

CDL-Temperature interface CDL-TF

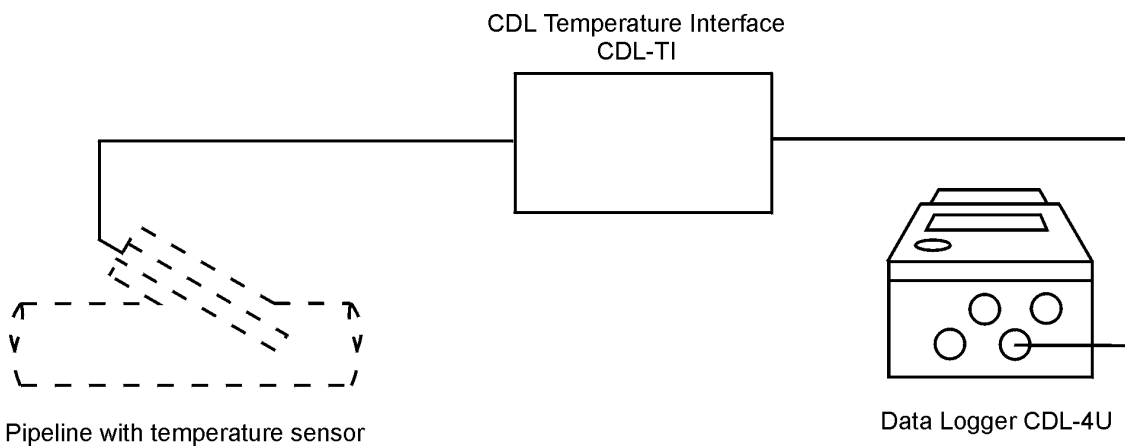
Application:

With the CDL Temperature Interface common platinum-temperature sensors can be connected to the CDL Data Logger CDL-1U/2U/4U.

The platinum-temperature sensor itself is not part of the CDL Temperature interface.

Connectable temperature sensors: PT 100/B/2 acc. to DIN/IEC 751

Connection:



Technical Data:

| | |
|----------------------|---|
| Protection: | IP 67, DIN 40050 |
| Weight: | approx. 150g incl. cable |
| Accuracy: | ±1% full scale |
| Response time: | 1 ms |
| Measurement: | 2-wire |
| Ambient temperature: | 0 ... 70°C |
| Storage temperature: | -55 ... +100°C |
| Humidity: | 0 ... 99% |
| Shock: | 50g |
| Connection cable: | Sensor-Interface: 2-wire silicon cable, 2x 0.22mm ² , screened, Length 2m with crimped pins |
| Interface-Logger: | 4-wire, PVC-cable, screened, length 0,5m incl. plug for Logger connection |
| | Note! Cable lengths are not to be modified. |

Available Design

CDL - Temperature interface 0 ... 50°C; 8-pin
CDL - Temperature interface 0 ... 130°C; 8-pin

order no.: 11 59 11
order no.: 11 59 12